



NEW PRODUCT UPDATE:

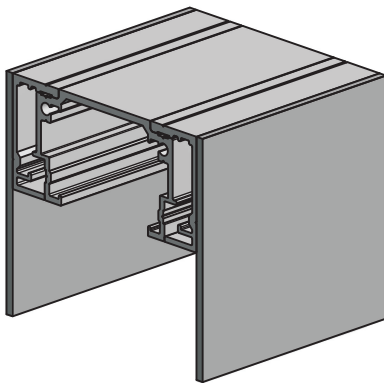
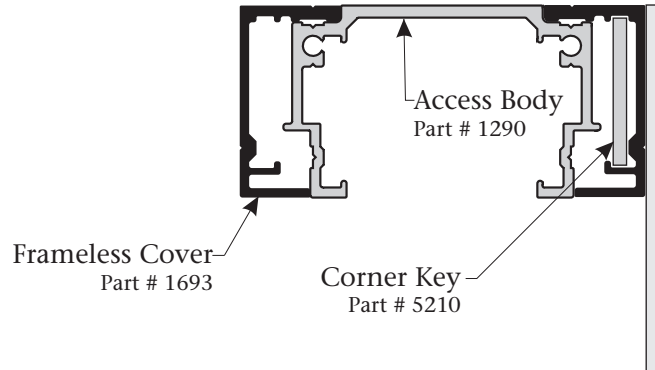
Frameless Cover

April 2013

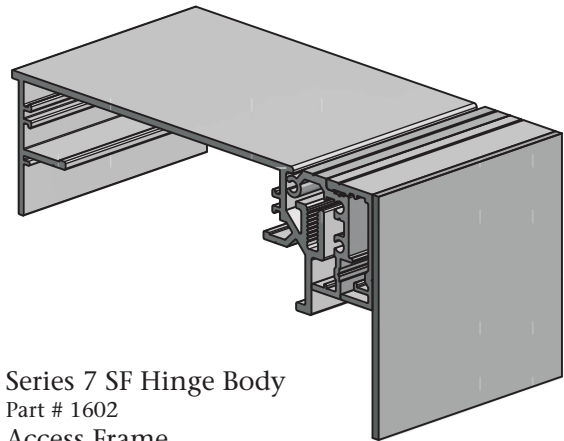
Part Number	Part	Length	Finish
1693	Frameless Cover	24'-5"	Mill Finish

Features & Benefits

- Allows for a true frameless face appearance.
- Two Body options:
 - Single Face Access Body
 - Double Face Access Body
- Two Frame options:
 - Access Frame
 - Commercial Access Frame



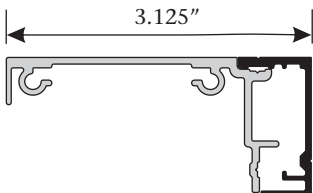
Shown with: Series 3 Access Body
Part # 1290



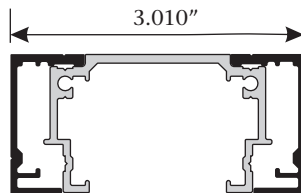
Series 7 SF Hinge Body
Part # 1602
Access Frame
Part # 1690

Body Options:

Series 3 SF Access Body
Part # 1291

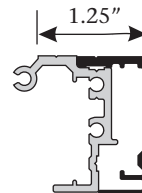


Series 3 Access Body
Part # 1290



Frame Options:

Access Frame
Part # 1690



Commercial Access Frame
Part # 2060

